

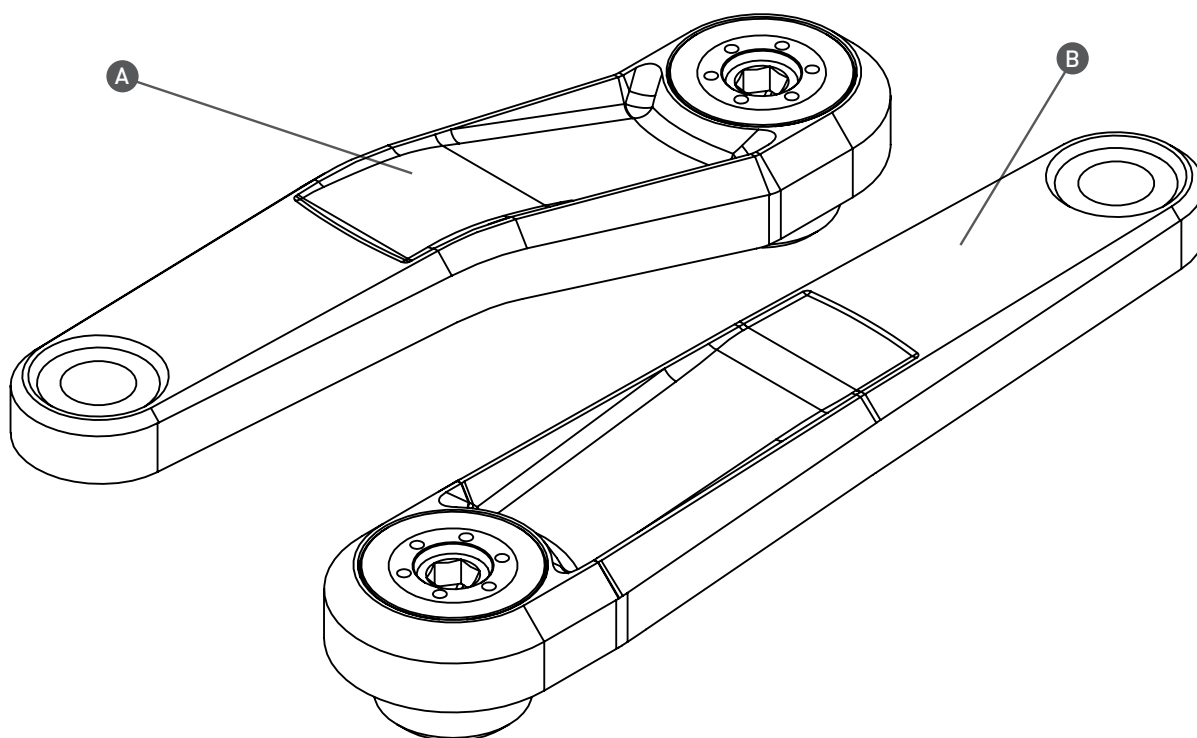
TIPS AND TRICKS

FOR BUZZ BARS V2.1

COMPATIBLE WITH **BAFANG BBSHD/BBS01/BBS02 MOTOR**

INCLUDES

- A** 1X LEFT OFFSET BUZZ BAR
- B** 1X RIGHT STRAIGHT BUZZ BAR



TOOLS REQUIRED

- 8mm hex key
- All purpose lithium grease
- Loctite 243

INSTALL TIPS

- Clean and lubricate axle with a multi-pupose grease before install.
- Apply Loctite 243 to bolt thread.
- Make sure left and right cranks are on the correct sides.
- Tighten to 60-70Nm

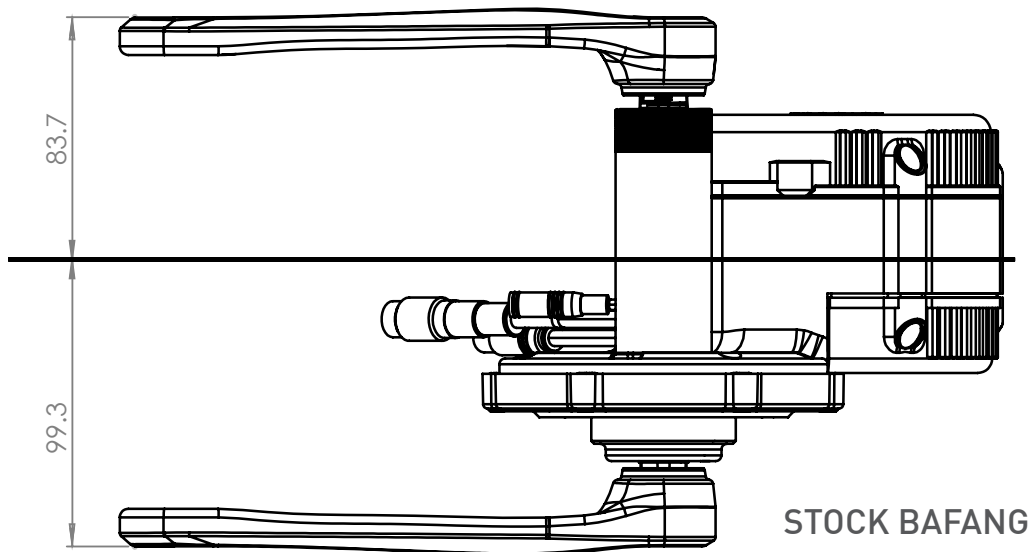
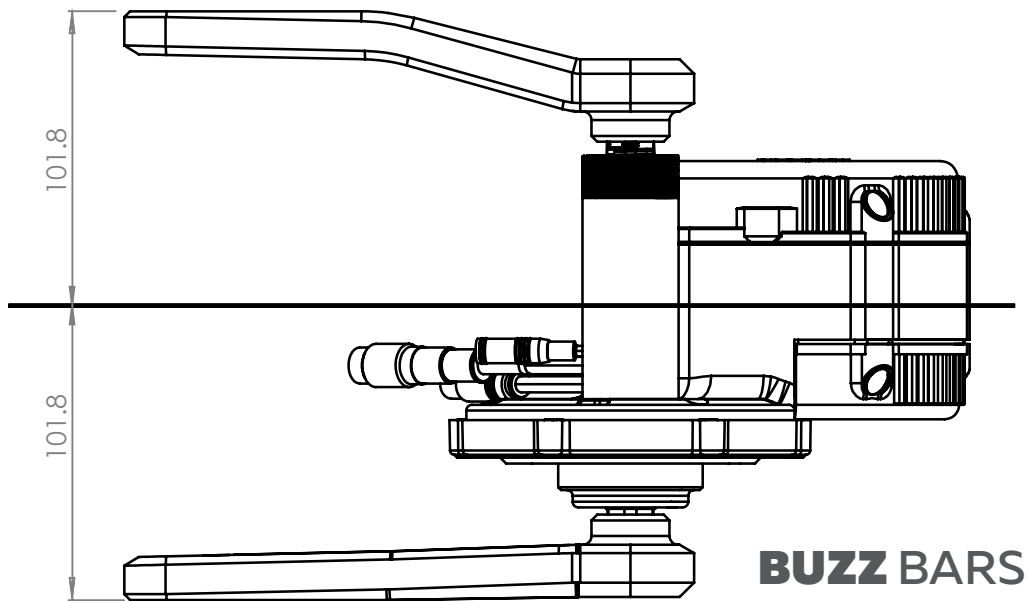
PEDAL INSTALL

- Grease pedal thread with a multi-pupose grease before install.
- Make sure left and right pedals are on the correct sides.
- Note left pedal is left hand thread (counter-clockwise to tighten).
- Tighten to 31-34Nm.

Q-FACTOR

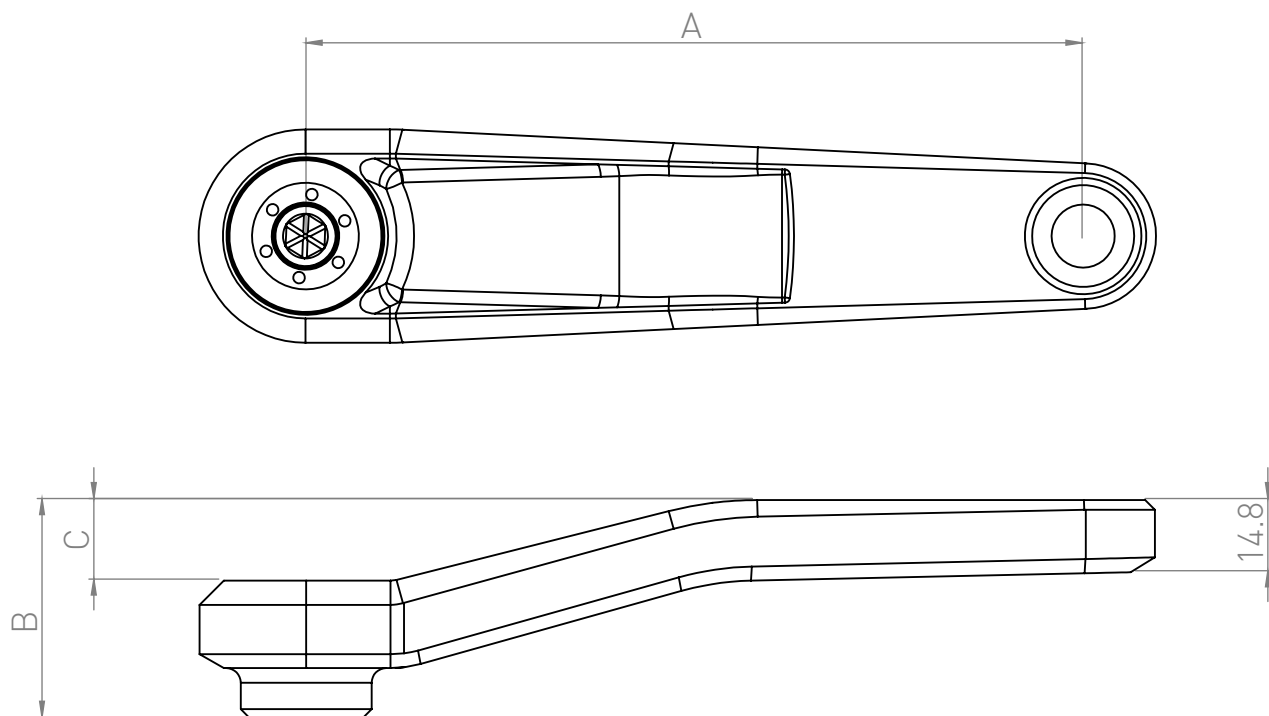
To optimize your riding experience you want your cranks to be centered. Unfortunately the geometry of the motors offset the axle to one side.

We designed the Lekkie BuzzBars to counter this motor design flaw, with the left crank having 15.6mm more offset to give you an even Q-factor.



DIMENSIONS

Here are the basic dimensions of the cranks. Note the image is just an illustration to explain the drawing.

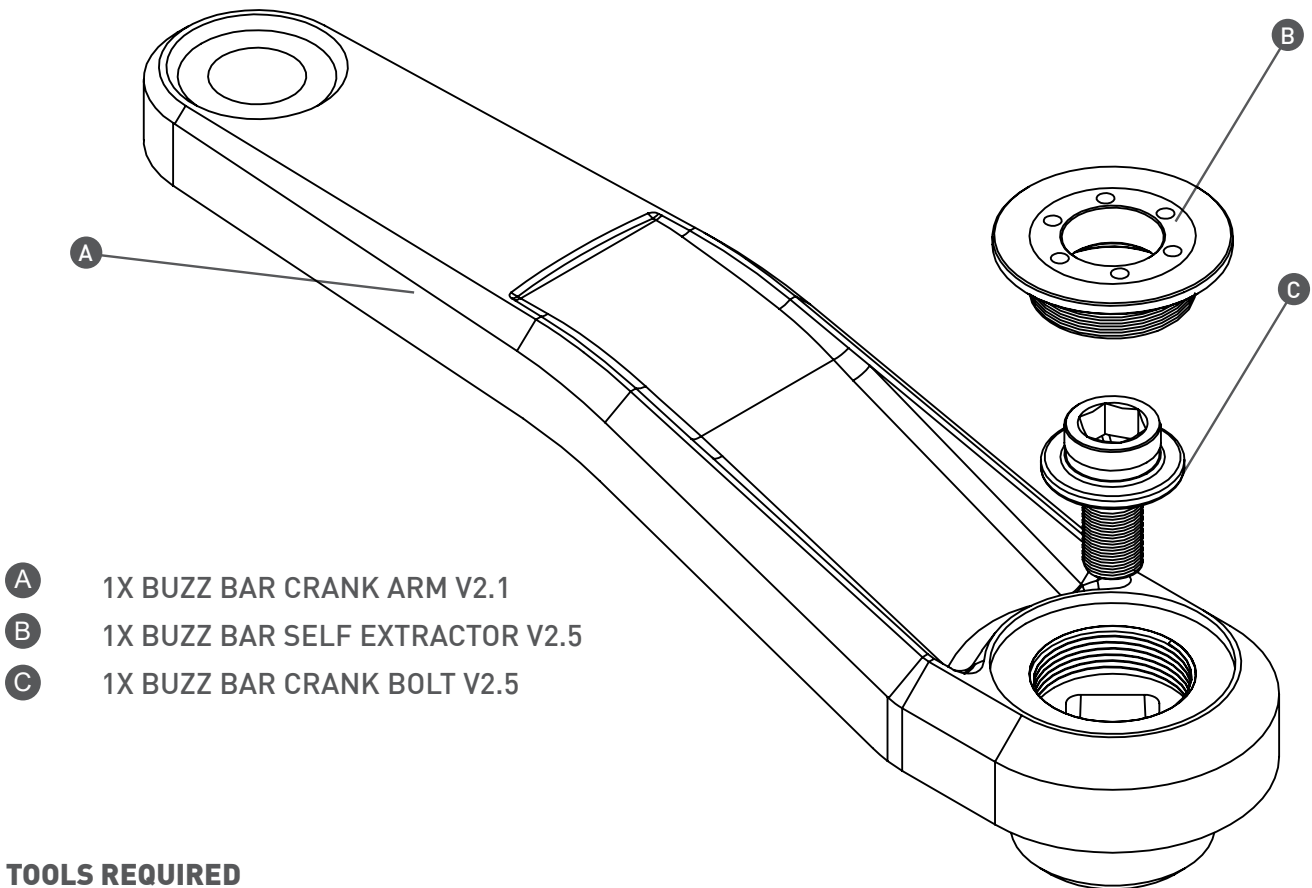


CRANK SET	CRANK	A	B	C
BUZZ BARS Q160	LEFT	160	45.1	16.6
	RIGHT	160	29.5	1.0
BUZZ BARS Q170	LEFT	170	45.1	16.6
	RIGHT	170	29.5	1.0

Measurements in mm

MAINTENANCE

The Buzzbars shouldn't need to be disassembled however if they are creaking or have had a hard life in the elements the an overhaul is a good idea.



- A 1X BUZZ BAR CRANK ARM V2.1
- B 1X BUZZ BAR SELF EXTRACTOR V2.5
- C 1X BUZZ BAR CRANK BOLT V2.5

TOOLS REQUIRED

- Park Tool Pin Spanners - SPA-2 (circlip pliers can work)
- Heat gun
- All purpose lithium grease
- Loctite 243

1. Remove the Buzz Bars from the motor.
2. Insert Park Tool Pin Spanners - SPA-2 tool into two of the holes in the **Buzz Bar Self Extractor V2.5** and unscrew. You may need to heat the extractor with a heat gun to soften the loctite.
3. Now you can remove the **Crank Bolt V2.5** which is just sitting in the crank.
4. Clean any residue grease and loctite from threads, square taper and any other surfaces.
5. Apply a smudge of lithium grease to the both the underside of the **V2.5 Crank Bolt** and under side of extractor and place bolt back into the Buzz Bar.
6. Apply a drop Loctite 243 to thread of **Buzz Bar Self Extractor V2.5** and thread into Buzz Bar.
7. Insert the Park Tool Pin Spanners - SPA-2 in to two of the holes and tighten.
8. Repeat for the other Buzz Bar.

WARRANTY

At Lekkie we don't accept anything but the best workmanship and quality. If a part has slipped through our QC system and made it to your hands let us know and we will put it right.

If one of our products fails we want to know so we can make our products better. If you destroy a lekkie product in extreme use tell us. We can learn from this and sell you something so suit your needs.

If you are in anyway unhappy with your Lekkie product get in touch so we can put it right.